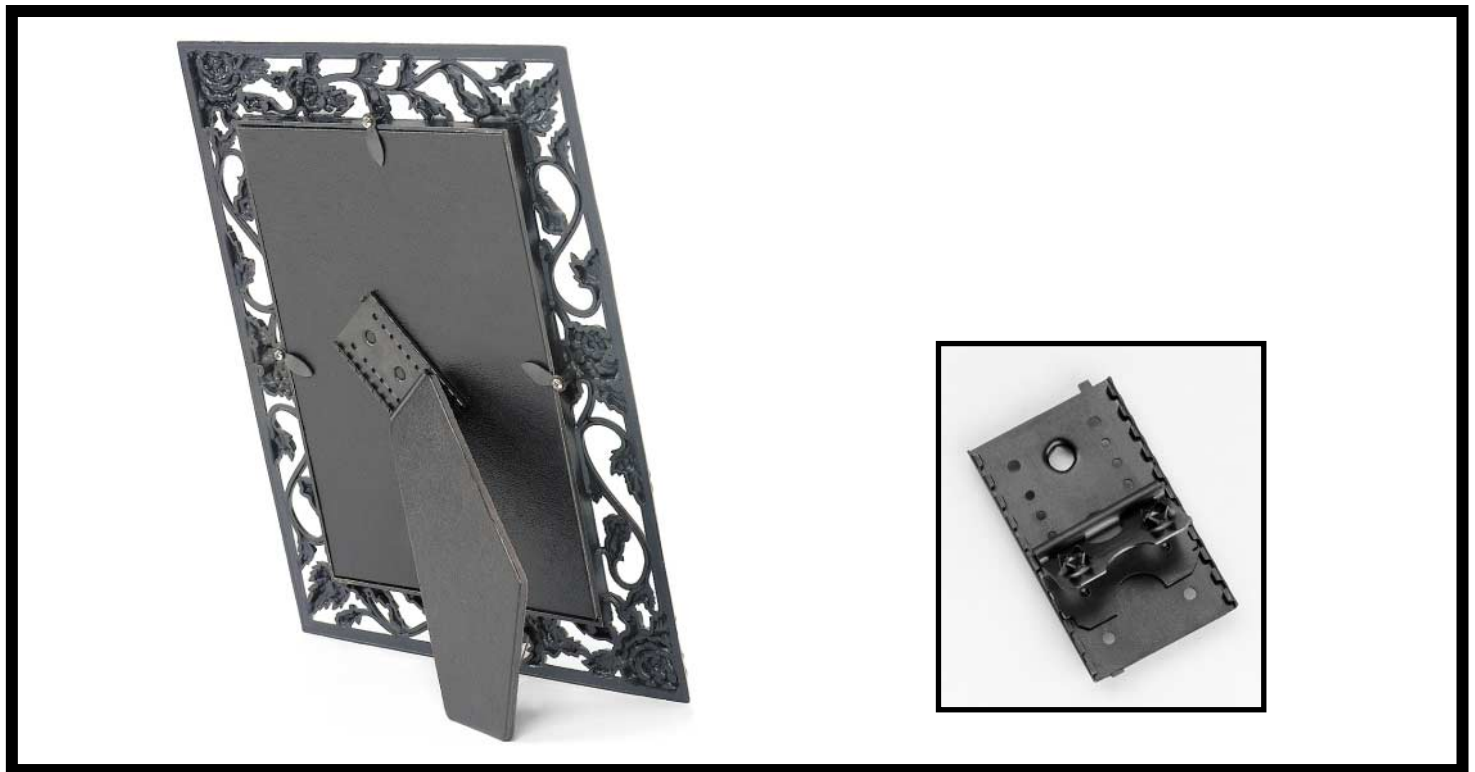


# E-Z SLIDE EASEL HINGE



**C**raft's new patented 6230 E-Z Slide easel hinge is a new concept in assembling photo frame backs. Now you can have a flush leg style back and a range of drop leg style backs with less inventory!

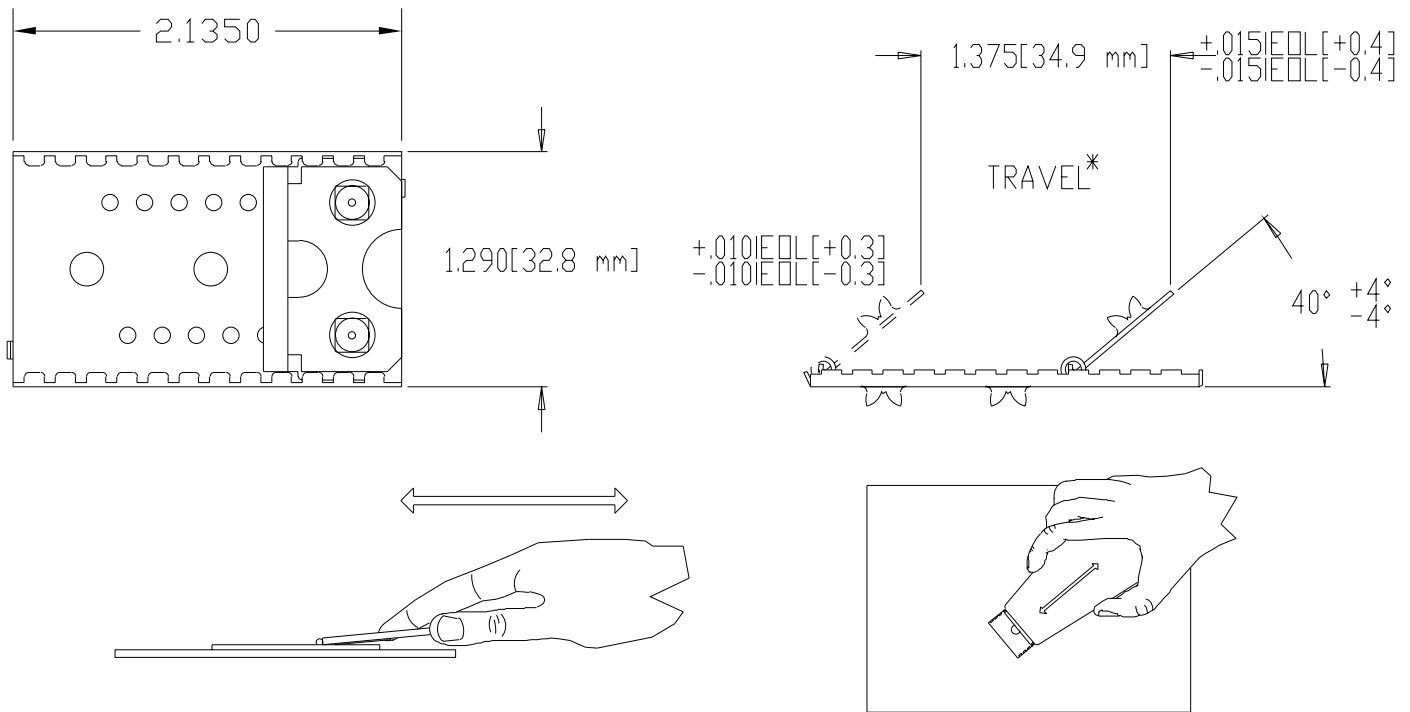
The design of our patented 6230 hinge allows the flexibility to fit the easel leg against the back, then by pulling the easel leg down you can also have an extended drop leg, all with the same easel back.



**CRAFT INC.® "Pioneers in Self-Fastening Hardware"**

1929 County Street • P.O. Box 3049 • South Attleboro, MA 02703-0912 USA • 1-800-8CRAFT8 ~ 508-761-7917 ~ Fax: 508-399-7240  
[www: www.craft-inc.com](http://www.craft-inc.com) ~ [email: craft@craft-inc.com](mailto:craft@craft-inc.com)

# Product Specifications: E-Z Slide Easel Hinge



HINGE	PCS. PER. BOX	PCS. PER. SKID	WEIGHT. PER BOX	WEIGHT. PER SKID	BOX DIMENSIONS	SKID DIMENSIONS
6230	1,300	31,200	43 [19.5]	1,066 [464]	13 X 13 X 8 [330 X 330 X 203]	28 X 38 X 34 [711 X 965 X 864]
6230-11	1,300	31,200	43 [19.5]	1,066 [484]	13 X 13 X 8 [330 X 330 X 203]	28 X 38 X 34 [711 X 965 X 864]

** RECOMMENDED FOR:			
BOARD THICKNESS		FRAME SIZE	
MINIMUM	MAXIMUM	MINIMUM	MAXIMUM
.06 [1.52]	.13 [3.30]	4 x 6 [102 x 152]	11 x 14 [279 x 356]
.08 [2.03]	.15 [3.81]	4 x 6 [102 x 152]	11 x 14 [279 x 356]

DIMENSIONS AND WEIGHTS MAY VARY

\* NOTE: THIS TRAVEL EQUATES TO APPROXIMATELY 1" [25.4mm] DROP

\*\* THESE ARE GENERAL RECOMMENDATIONS ONLY. CONSIDERATION MUST BE GIVEN TO WEIGHT OF THE FRAME WHEN MAKING HINGE SELECTION.



**CRAFT INC.® "Pioneers in Self-Fastening Hardware"**

1929 County Street • P.O. Box 3049 • South Attleboro, MA 02703-0912 USA • 1-800-8CRAFT8 ~ 508-761-7917 ~ Fax: 508-399-7240  
[www: www.craft-inc.com](http://www.craft-inc.com) ~ [email: craft@craft-inc.com](mailto:craft@craft-inc.com)